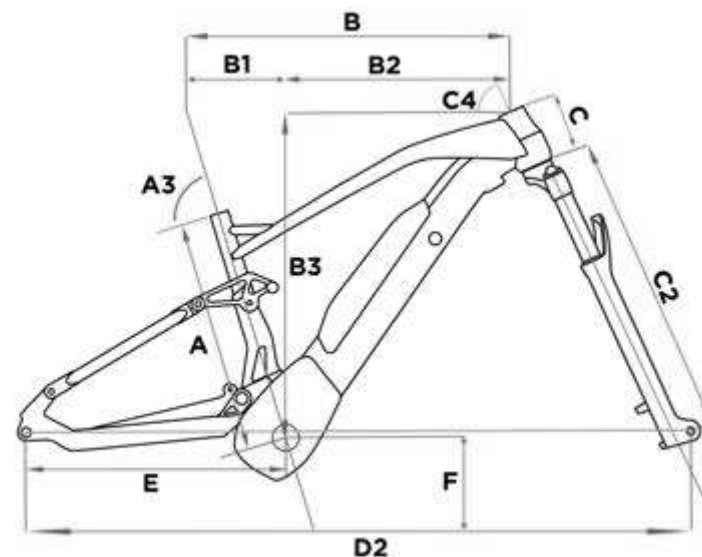


XTF 1.5 RACE



| | |
|------------------------------|--|
| MOTOR | Brose S-ALU, Torque/Coppia: 90 Nm |
| BATTERIE | Fantic, Lithium Ion, 36 Volt, 630Wh |
| DISPLAY | Brose-All Round |
| RAHMEN | Aluminum, Sizes: S - M - L |
| GABEL | RockShox 35 GOLD RL 150mm |
| DÄMPFER | RockShox Deluxe Select+ |
| KETTENBLÄTTER | Sram 34t Steel Eagle |
| FAHRRAD KURBEL | Miranda 165mm |
| SCHALTWERK | Sram GX - AXS |
| SCHALTHEBEL | Sram GX - AXS |
| SCHALTKASSETTE | Sram SX 12V, 11-50 |
| KETTE | Sram SX |
| BREMSE (VORNE) | Sram GUIDE T 4 Piston disc brake |
| BREMSE (HINTEN) | Sram GUIDE T 4 Piston disc brake |
| BREMSSCHEIBE (VORNE) | SramCenterLine, 200mm - 6Hole |
| BREMSSCHEIBE (HINTEN) | SramCenterLine, 180mm - 6Hole |
| REIFEN (VORNE) | Pirelli SCORPION TRAIL -S- 29"x 2.4 |
| REIFEN (HINTEN) | Pirelli SCORPION TRAIL -R- 29"x 2.4 |
| FELGEN UND SPEICHEN | Rodi TRYP30 |
| LENKER | FSA Logo Ø31,8 - Rise15 - Sweep 6° |
| VORBAU | FSA Logo Ø31,8 - Rise +6° |
| SATTELSTÜTZE | SWITCH SW Ø 30.9, S - 80mm / M - 100mm / L - 125mm |
| SATTEL | Selle Italia MODEL-X Comfort Superflow 145 |

| SIZE | S | M | L |
|-----------|-------|-------|-------|
| A | 390 | 430 | 490 |
| A3 | 73 | 73 | 73 |
| B | 573 | 602 | 627 |
| B1 | 166 | 169 | 174 |
| B2 | 407 | 433 | 453 |
| B3 | 615,8 | 625,0 | 641,5 |
| C | 105 | 115 | 130 |
| C2 | 567 | 567 | 567 |
| C4 | 66 | 66 | 66,5 |
| D1 | 1193 | 1224 | 1244 |
| E | 472 | 472 | 472 |
| F | 358 | 358 | 358 |