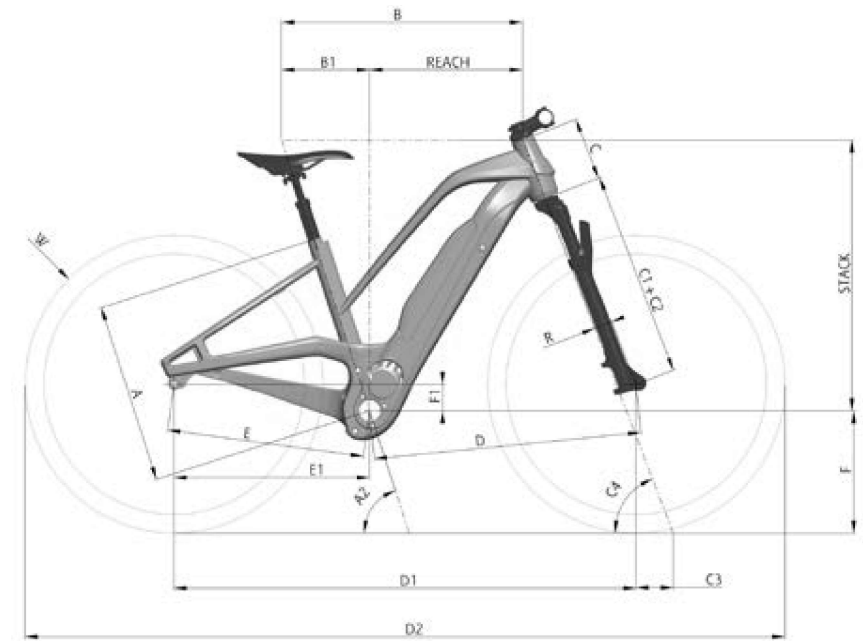


# LIVING EASY



<b>MOTOR</b>	Yamaha PW S2, Torque/Coppia: 75Nm
<b>BATTERIE</b>	Fantic, Lithium Ion, 36 Volt, 630Wh
<b>DISPLAY</b>	Display A Yamaha
<b>RAHMEN</b>	Aluminium frame. Sizes: S/M - L/XL
<b>GABEL</b>	Suntour XCR34, 100mm
<b>SCHALTUNG</b>	SRAM SX Eagle 12V
<b>FAHRRAD KURBEL</b>	FSA 170mm
<b>SCHALTKASSETTE</b>	SRAM SX Eagle 12V 11-50 teeth
<b>KETTE</b>	SRAM SX Eagle
<b>VORDERRADBREMSE</b>	Promax Solve ST 925 hydraulic 2P, 180mm disc
<b>HINTERRADBREMSE</b>	Promax Solve ST 925 hydraulic 2P, 180mm disc
<b>REIFEN</b>	Vittoria E-Randonneur 50-622
<b>FELGEN UND SPEICHEN</b>	GBC, Aluminium, 28"
<b>VORDERRADNABE</b>	GBC, 110mm Boost
<b>HINTERRADNABE</b>	GBC, 148mm Boost
<b>LENKER</b>	GBC 700mm, Rise 20mm
<b>VORBAU</b>	GBC AHEAD Set over - 70MM
<b>SATTEL</b>	Selle Italia S5 Superflow
<b>SATTELSTÜTZE</b>	Promax Suspended Ø30.9
<b>GRIPS / VORDERE &amp; RÜCKLICHT</b>	Urban Gist / Busch Muller , Trelock
<b>PEDALS</b>	Aluminium / ABUS

SIZE	S-M	L-XL
<b>A</b>	430	495
<b>A2</b>	72	72
<b>B</b>	575	595
<b>B1</b>	210	216
<b>Reach</b>	365	379
<b>Stack</b>	646,5	665
<b>W</b>	28"	28"
<b>C</b>	150	170
<b>C1</b>	2	2
<b>C2</b>	490	490
<b>C3 TRAIL</b>	92,6	92,6
<b>C4</b>	69	69
<b>R</b>	44	44
<b>D</b>	639	660
<b>D1</b>	1103	1124
<b>D2</b>	1831	1852
<b>E</b>	471,2	471,2
<b>E1</b>	467	467
<b>F</b>	301	301
<b>F1</b>	63	63
<b>Lever</b>	170	170
<b>Stem</b>	70	70
<b>Bar</b>	700	700
<b>Regg.</b>	350	350